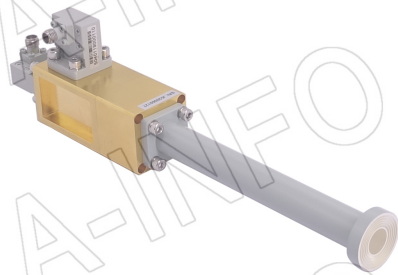


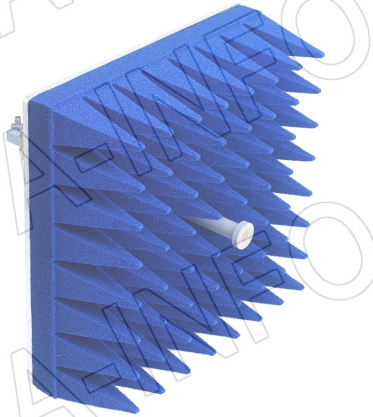
For reference only. See data sheet for the detailed specifications.

## Technical Specification

LB-ACH-34-10-T26-C-KF



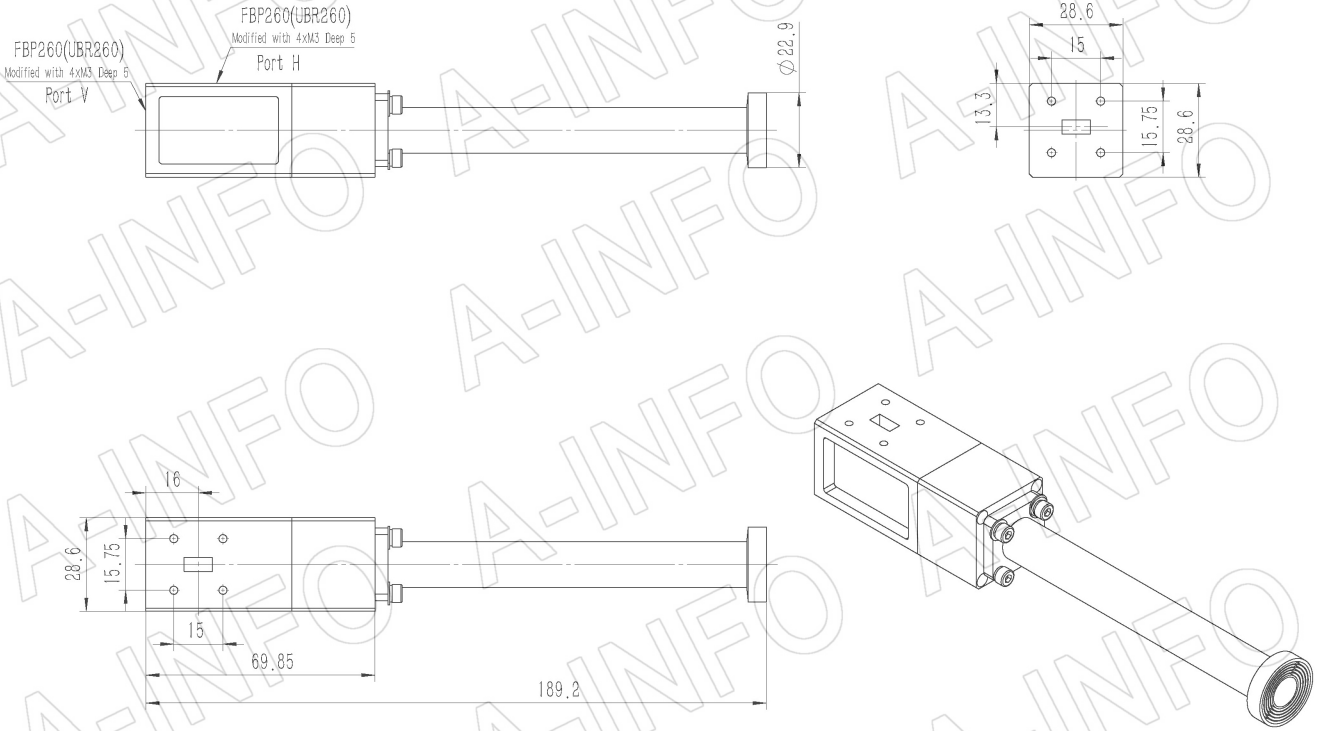
LB-ACH-34-10-T26-C-KF-A1



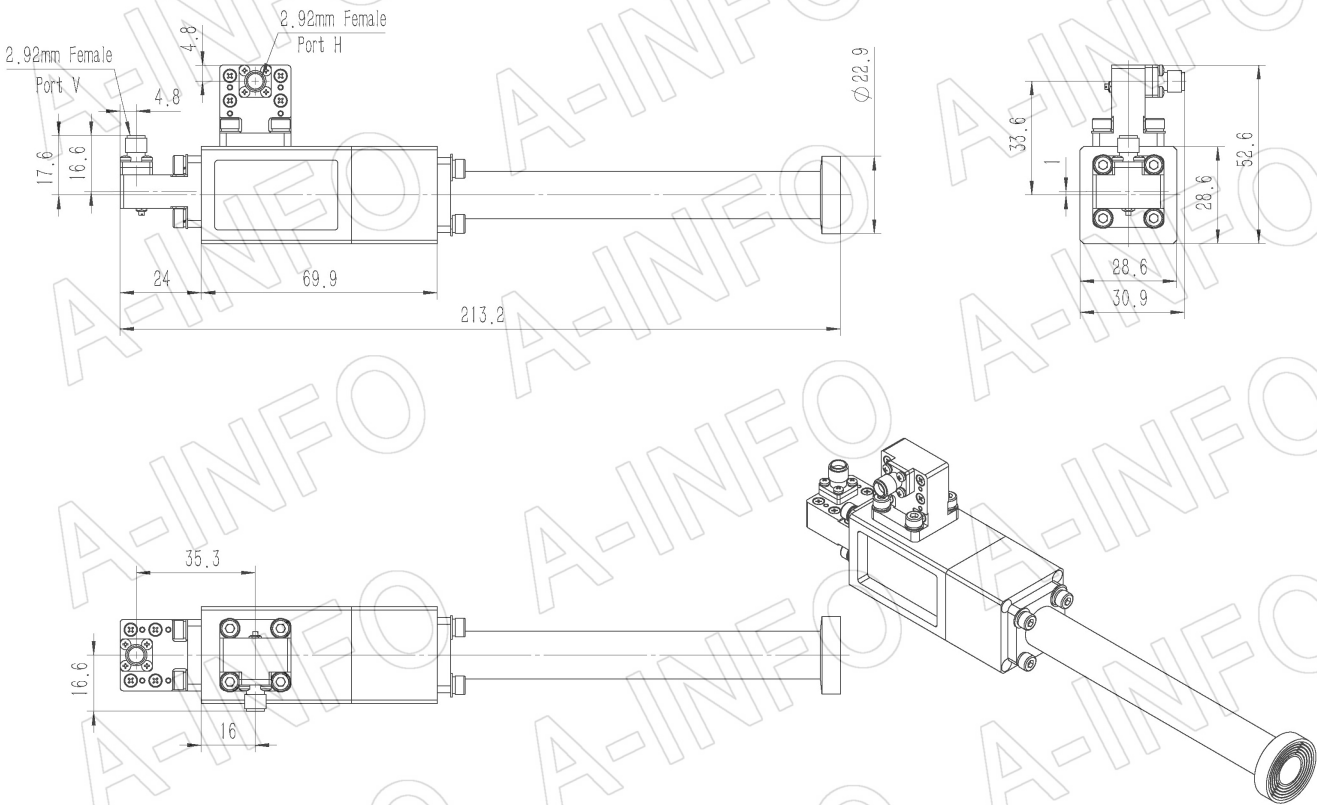
Frequency Range(GHz)	25.0 – 33.0	
Waveguide	WR34	
Gain(dBi)	10 Typ.	
Polarization	Dual Linear	
3dB Beamwidth(deg)	E Plane:	54 Typ.
	H Plane:	56 Typ.
10dB Beamwidth(deg)	E Plane:	98 Typ.
	H Plane:	105 Typ.
Cross Pol. Isolation(dB)	40 Typ.	
Port to Port Isolation(dB)	45 Typ. ; 35 Min.	
VSWR	A Type:	1.60:1 Typ.
	C Type:	1.60:1 Typ.
Output	A Type:	FBP260(UBR260)
	C Type:	2.92mm-Female
Material	Al	
Finish	Gold Plated and Sliver Plated, Gray Paint	
Size(mm)	A Type:	28.6 x 28.6 x 189.2
	C Type:	30.9 x 52.6 x 213.2
	A-A1:	266.4 x 266.4 x 240
	C-KF-A1:	266.4 x 266.4 x 264
Net Weight(Kg)	A Type:	0.41 Around
	C Type:	0.50 Around
	A-A1:	1.73 Around
	C-KF-A1:	1.84 Around

## Outline Drawing (Size: mm)

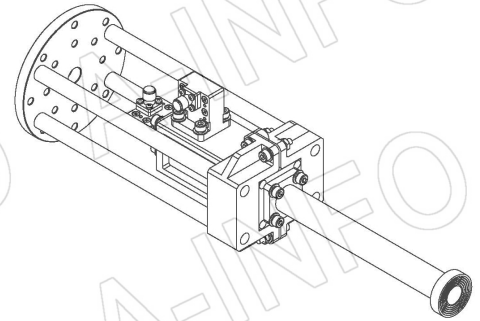
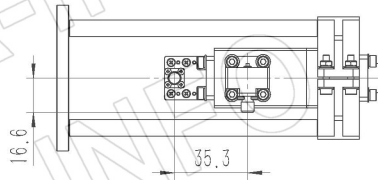
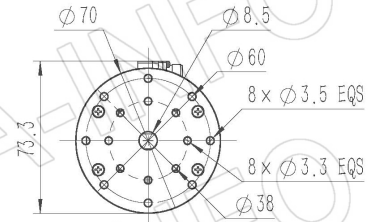
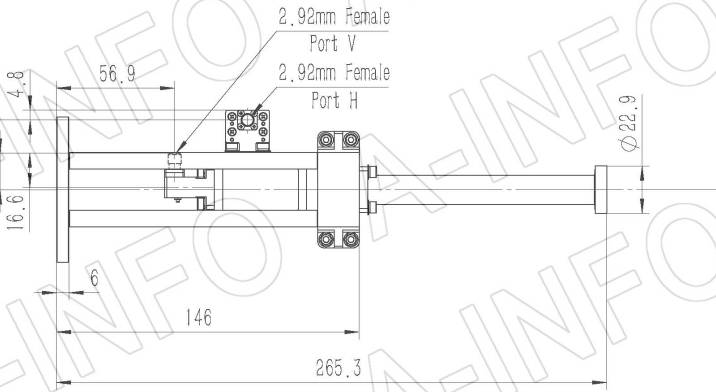
FBP260 Output (P/N: LB-ACH-34-10-T26-A)



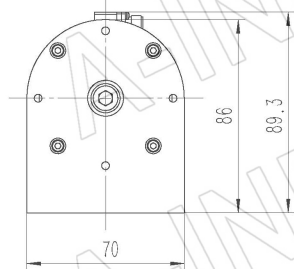
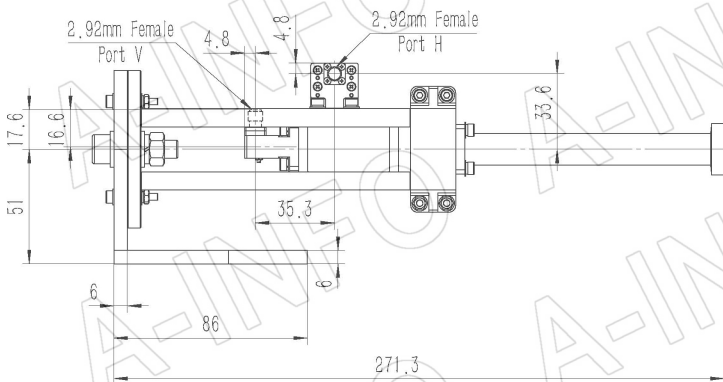
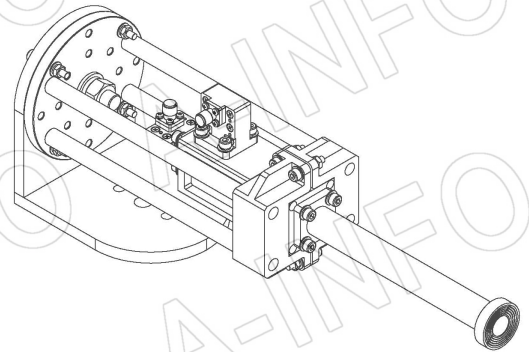
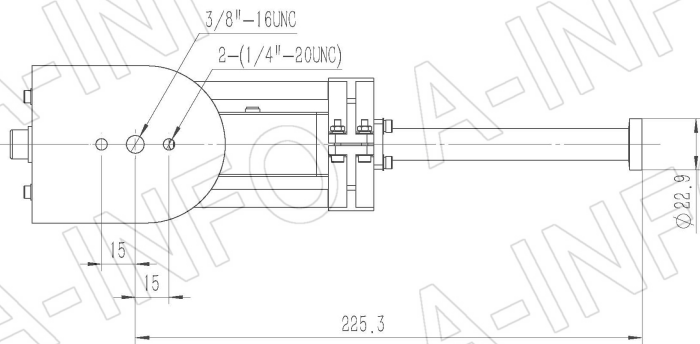
2.92mm-Female Output (P/N: LB-ACH-34-10-T26-C-KF)



**2.92mm-Female Output with Round Mounting Bracket (Option, P/N: LB-CNH-28-15-T02-MB)**

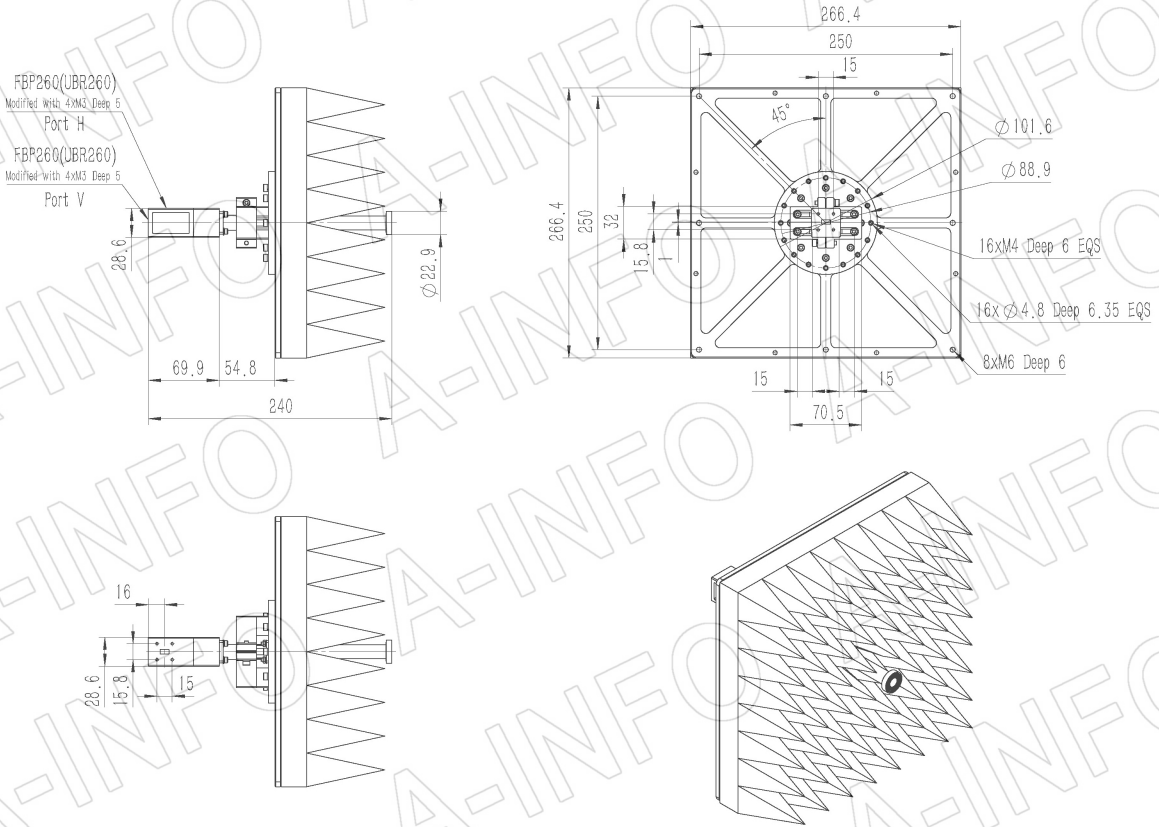


**2.92mm-Female Output with L Type Mounting Bracket (Option, P/N: LB-CNH-28-15-T02-MBL)**

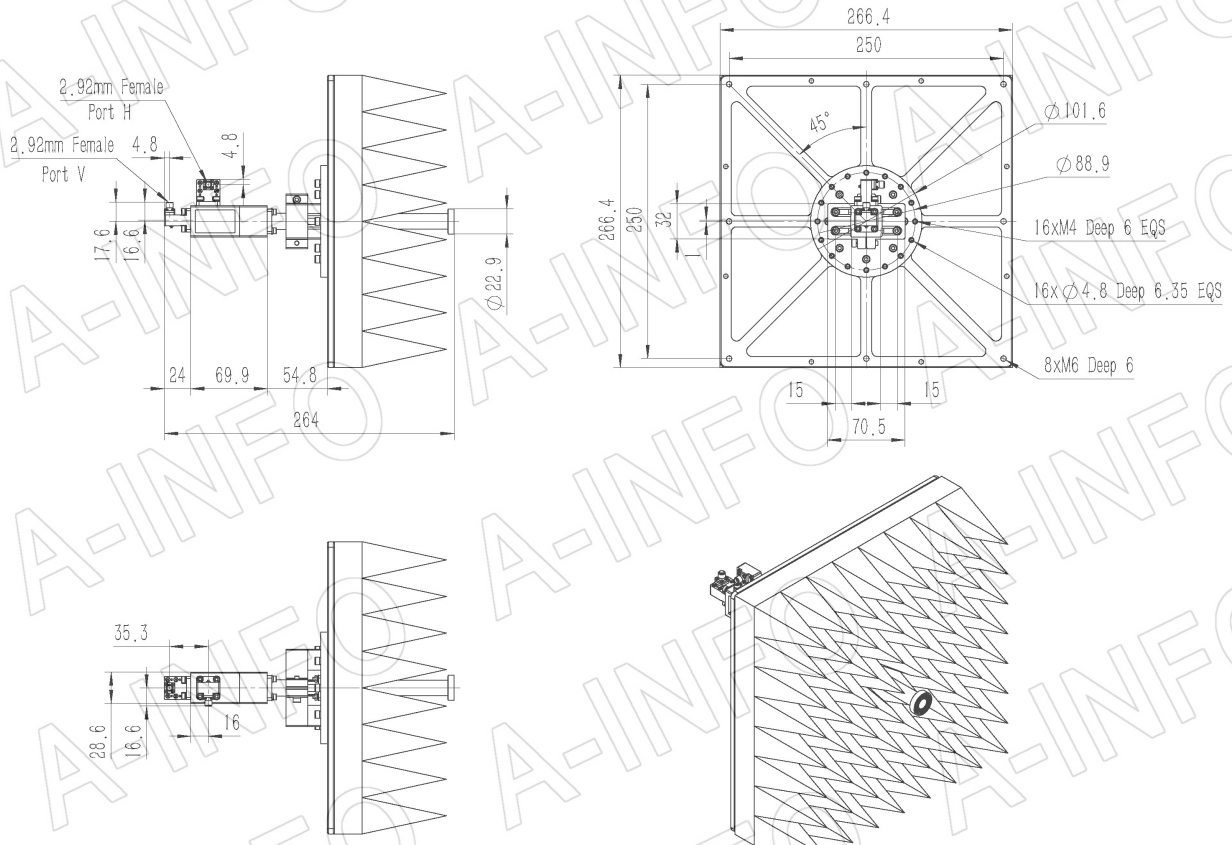




**FBP260 Output, Equipped with Absorber (Option, P/N: LB-ACH-34-10-T26-A-A1)**

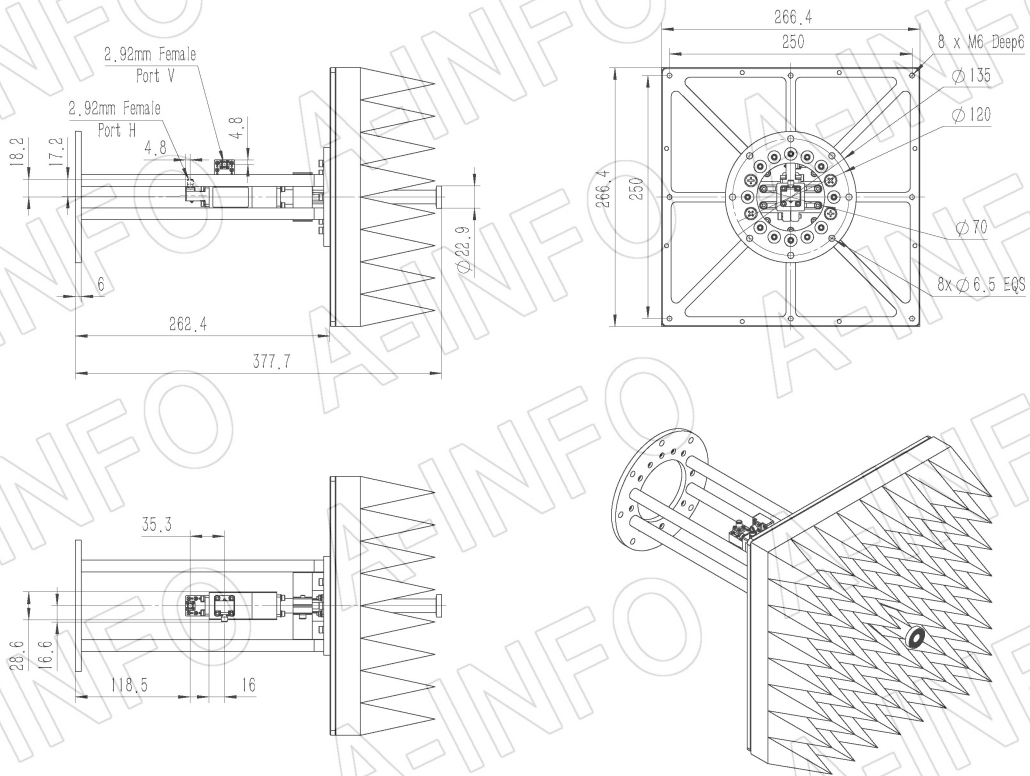


**2.92mm-Female Output, Equipped with Absorber (Option, P/N: LB-ACH-34-10-T26-C-KF-A1)**

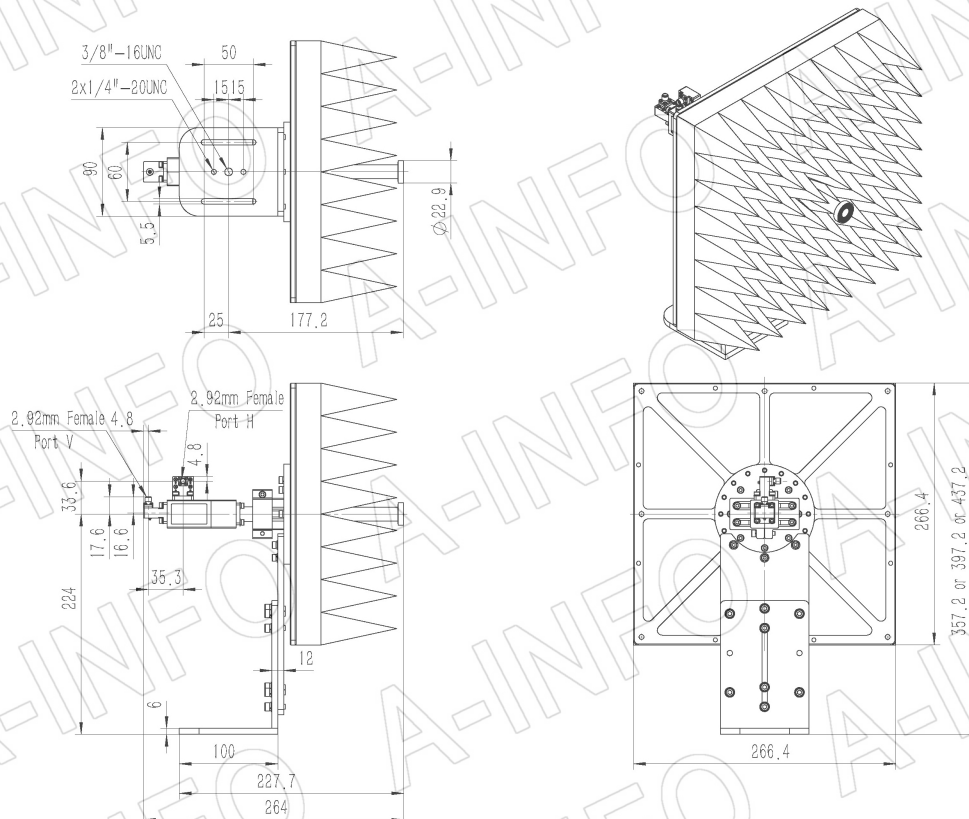




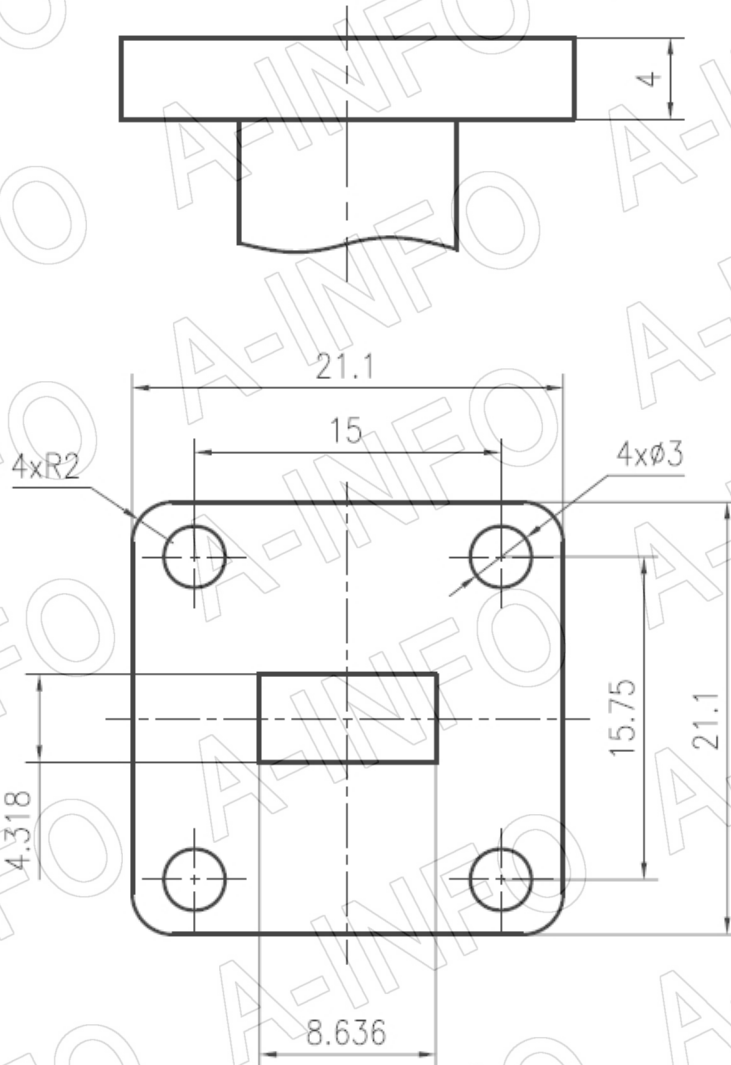
**2.92mm-Female Output with Round Mounting Bracket & Equipped with Absorber (Option, P/N: EWG-MB40 & LB-ACH-34-10-T26-C-KF-A1)**



**2.92mm-Female Output with L Type Mounting Bracket & Equipped with Absorber (Option, P/N: EWG-L40 & LB-ACH-34-10-T26-C-KF-A1)**



## Flange Drawing (Size: mm)



FBP260

### AINFO Inc.

China(Beijing): Tel: (+86) 10-6266-7326,  
China(Chengdu): Tel: (+86) 28-8519-2786,  
USA: Tel: (+1) 949-639-9688,

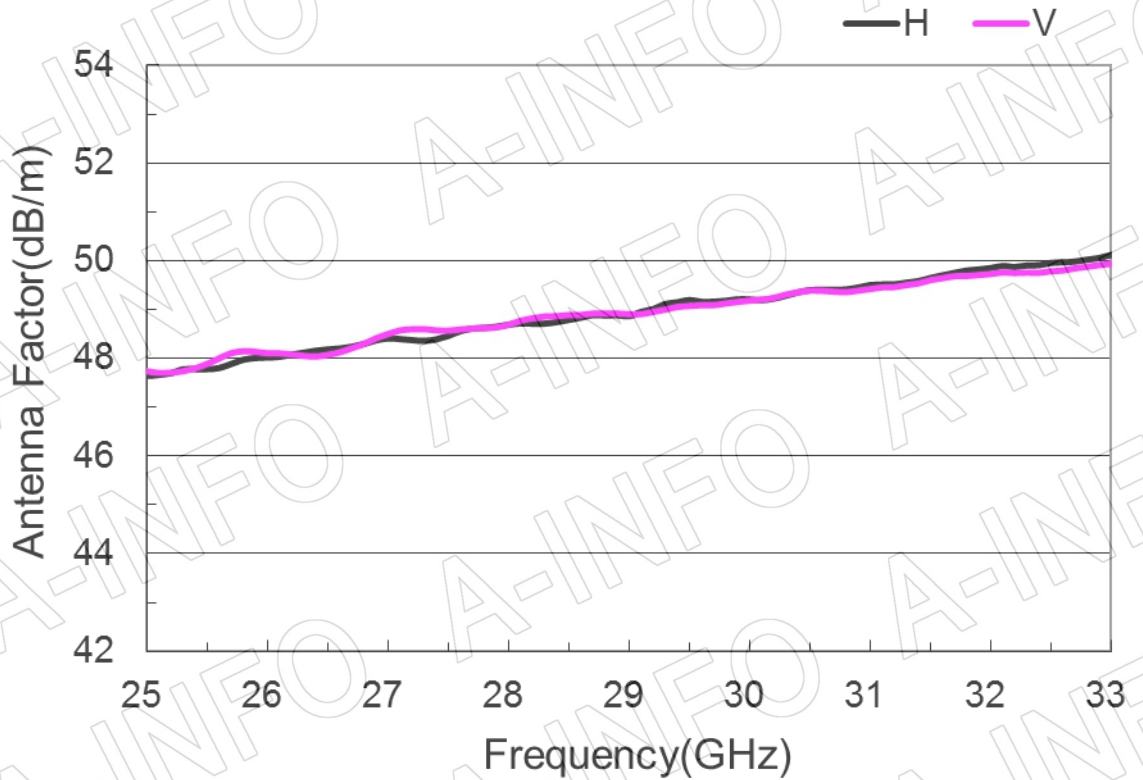
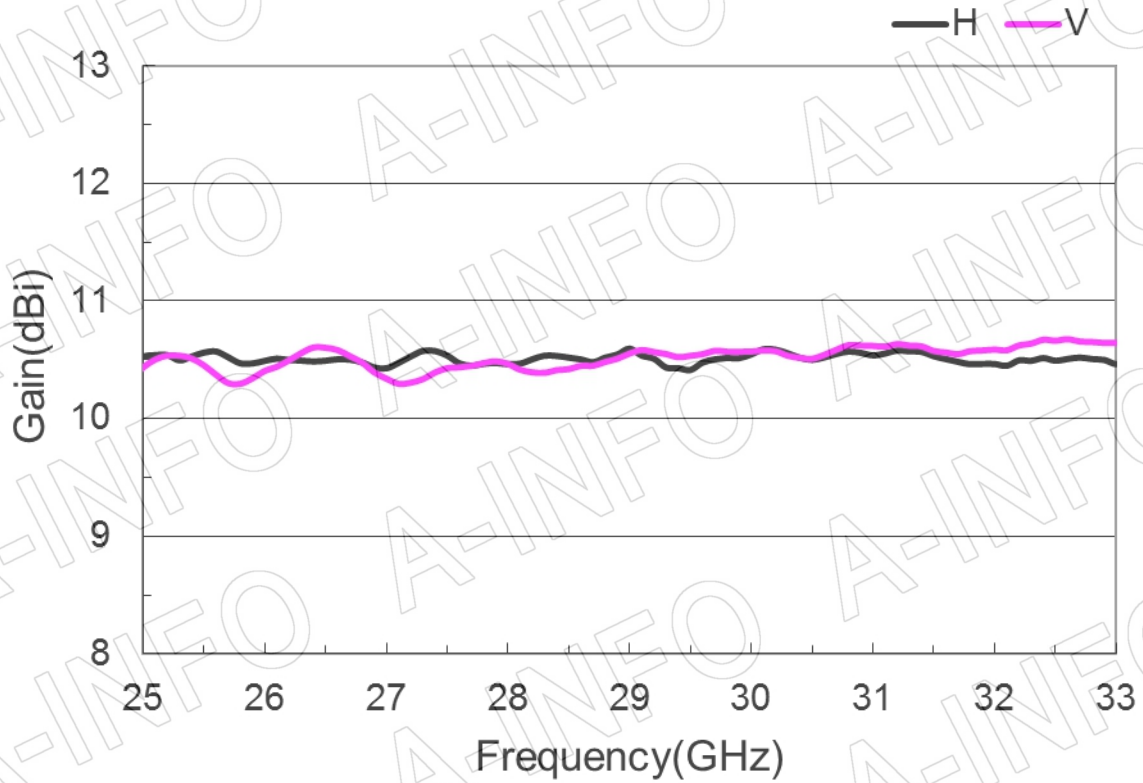
Page 6 of 13

(+86) 10-6266-7327 Fax: (+86) 10-6266-7379  
(+86) 28-8519-3044 Fax: (+86) 28-8519-3068  
(+1) 949-639-9608 Fax: (+1) 949-639-9670

Website: [www.ainfoinc.com](http://www.ainfoinc.com)  
Email: [sales@ainfoinc.com](mailto:sales@ainfoinc.com)

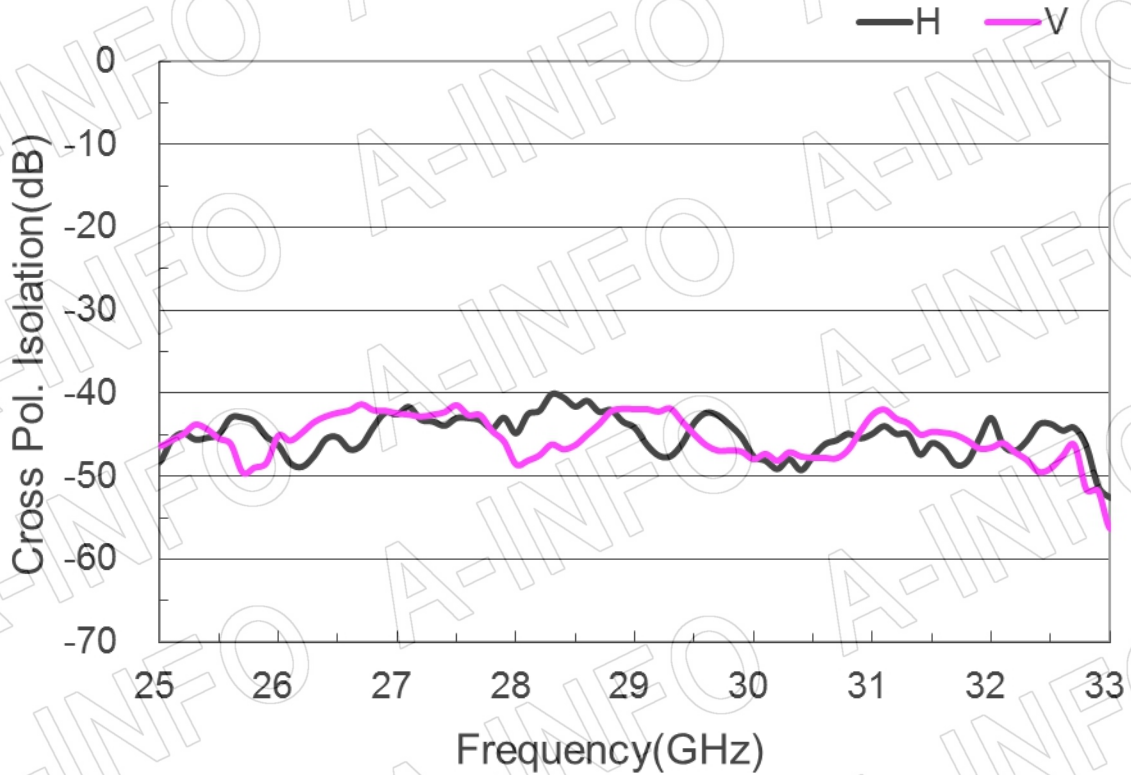
## Test Results

### 1. Gain & Antenna Factor

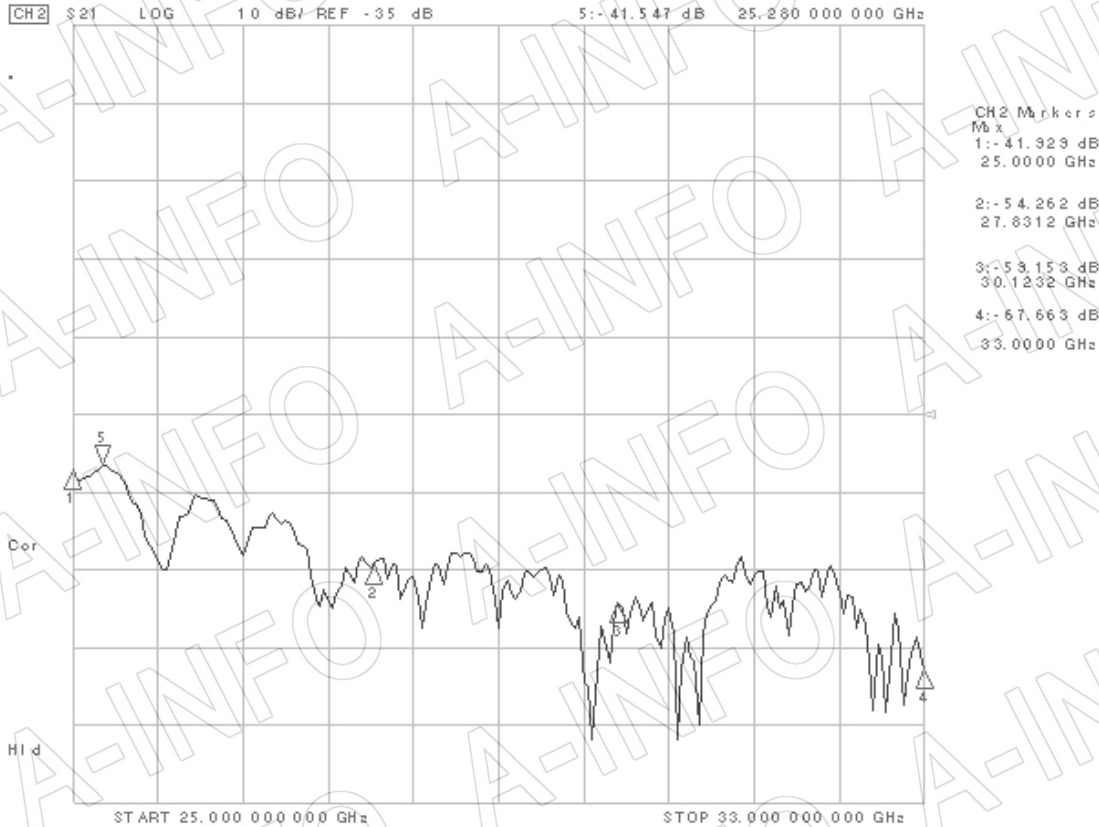




## 2. Cross Polarization Isolation

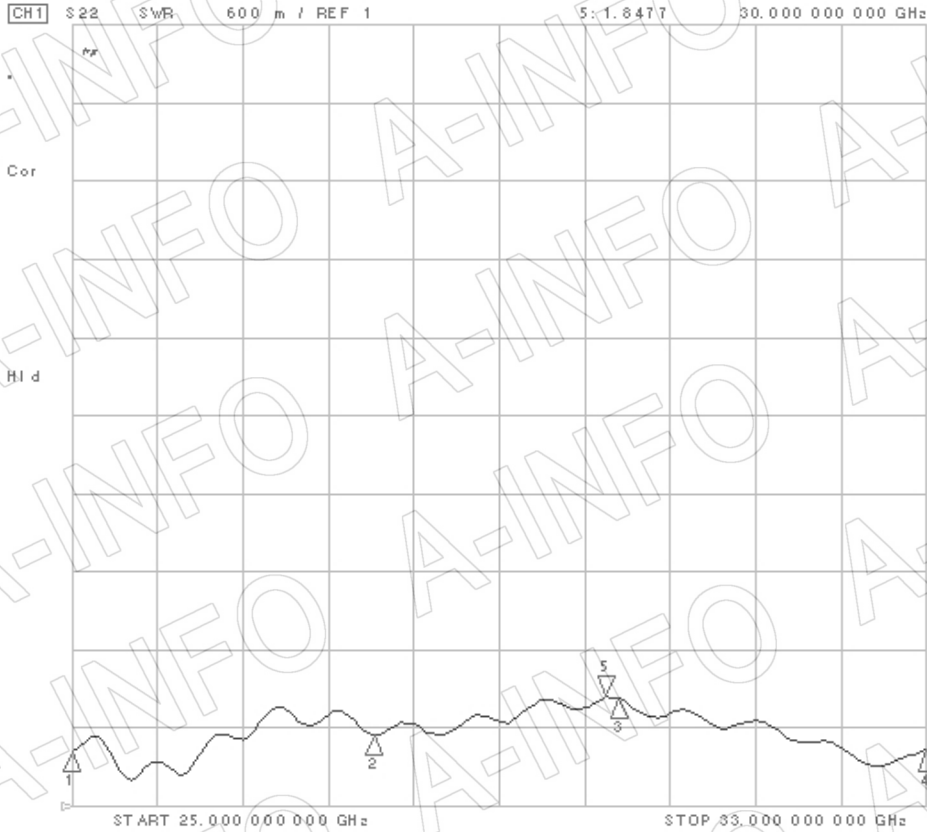


## 3. Port to Port Isolation

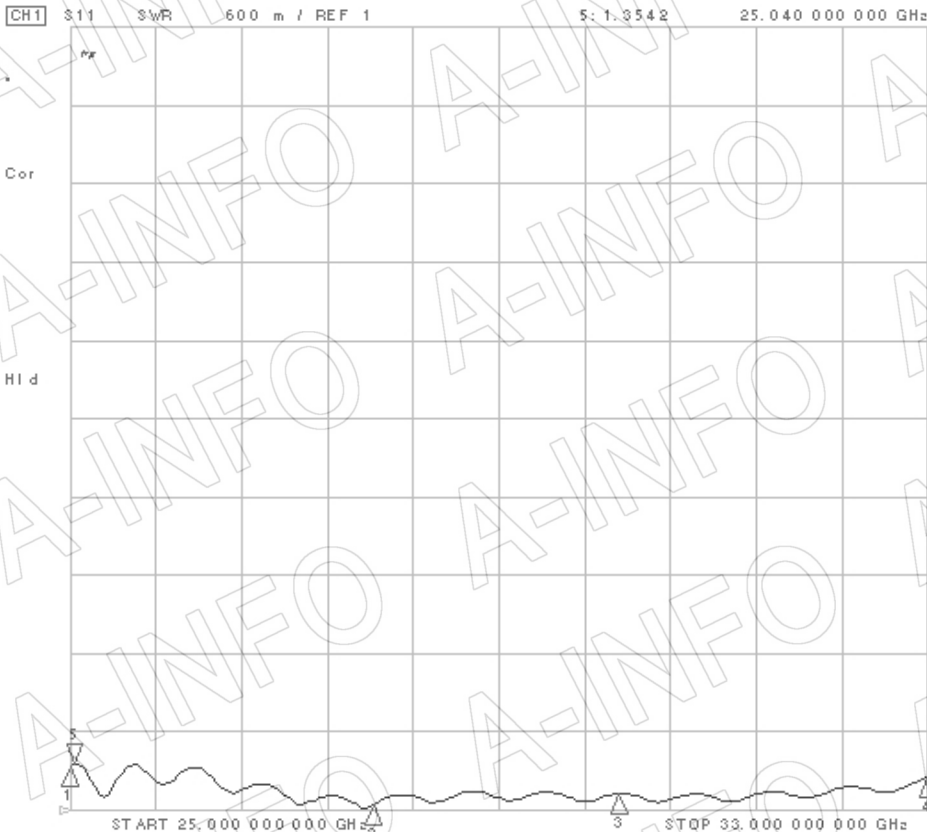


## 4. VSWR\_A Type

### Port-H



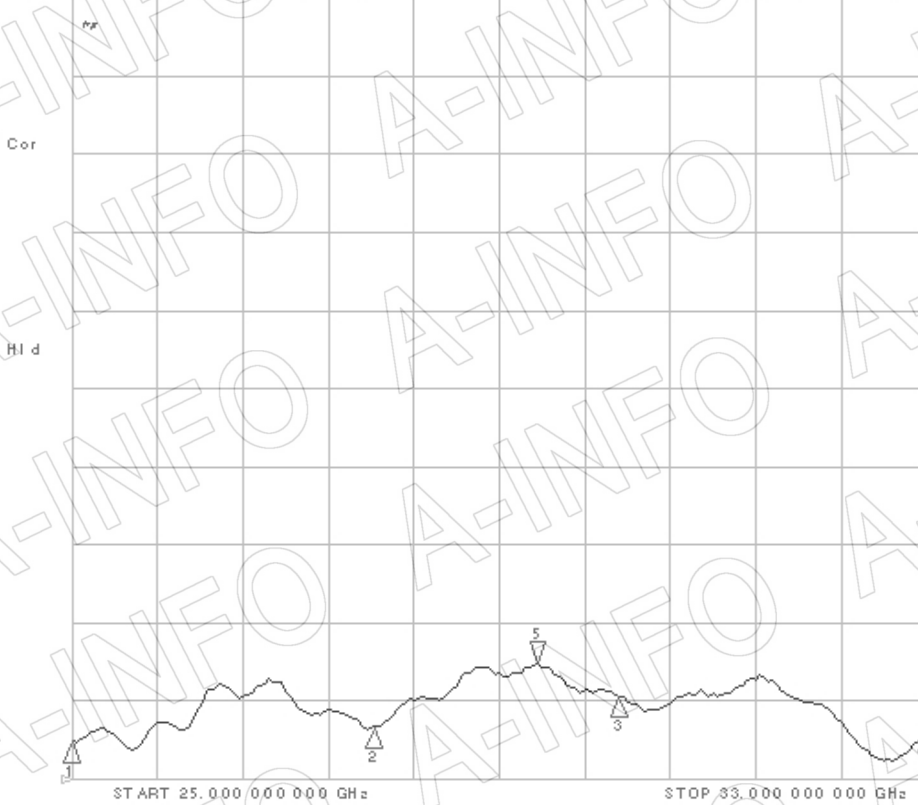
### Port-V



## VSWR\_C Type

### Port-H

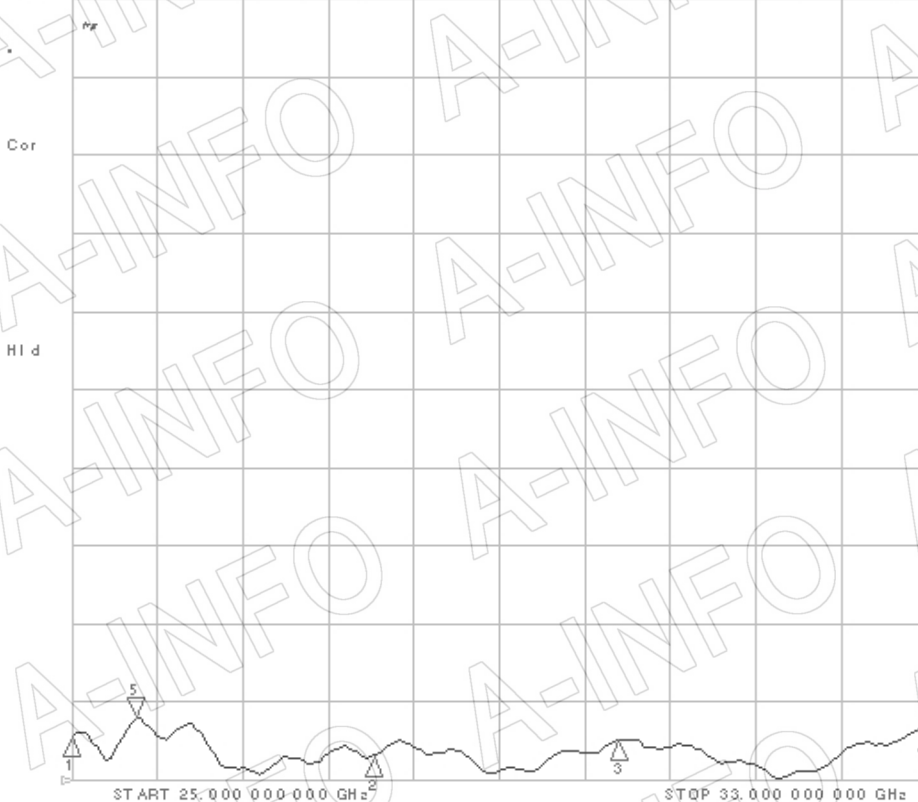
CH1 S22 SWR 600 m / REF 1 5: 1.8353 29.360 000 000 GHz



CH1 Markers  
Mkx  
1: 1.2904  
25.0000 GHz  
2: 1.4037  
27.8312 GHz  
3: 1.6390  
30.1232 GHz  
4: 1.3643  
33.0000 GHz

### Port-V

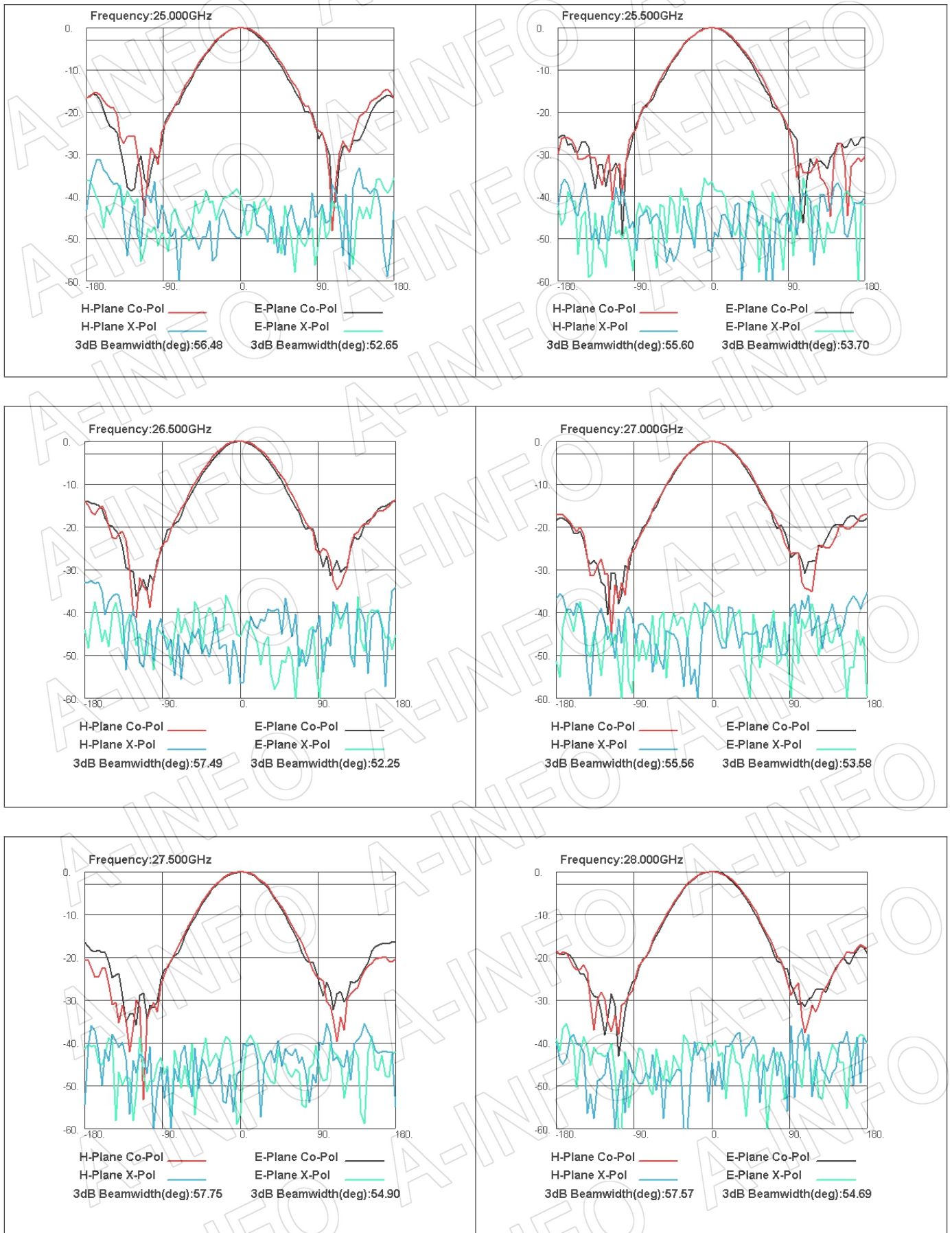
CH1 S11 SWR 600 m / REF 1 5: 1.4763 25.600 000 000 GHz



CH1 Markers  
Mkx  
1: 1.3453  
25.0000 GHz  
2: 1.1897  
27.8312 GHz  
3: 1.3133  
30.1232 GHz  
4: 1.3833  
33.0000 GHz



## 5. Pattern



AINFO Inc.

China(Beijing): Tel: (+86) 10-6266-7326,  
China(Chengdu): Tel: (+86) 28-8519-2786,  
USA : Tel: (+1) 949-639-9688,

Page 11 of 13

(+86) 10-6266-7327 Fax: (+86) 10-6266-7379  
(+86) 28-8519-3044 Fax: (+86) 28-8519-3068  
(+1) 949-639-9608 Fax: (+1) 949-639-9670

Website: www.ainfoinc.com  
Email: sales@ainfoinc.com

